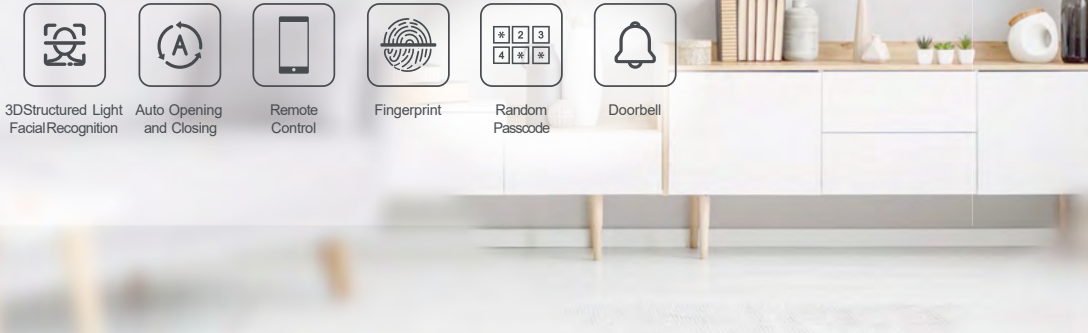


HBL400

Multi-Biometric Wi-Fi Smart Digital Lock

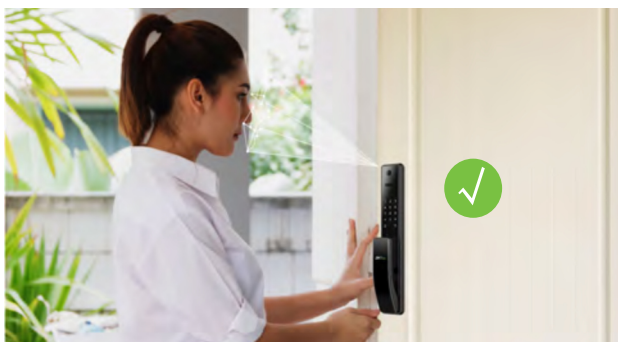


Introduction

HBL400 is designed as a multi-biometric automatic video smart lock. It could unlock and lock itself. It is compatible with USmartGo, an application designed for home automation. Users could enjoy remote control and online real-time monitoring when connecting the smart lock to the Wi-Fi network.

What's more, HBL400 is an intelligent door lock powered by 3D Structured Light facial recognition technology, offering more accurate performance than infrared and visible light facial recognition technology. It works well during daylight and low-light environments. When the house owner returns, the lock will quickly extract their face data, then instantly calculate and compare the acquired information with the template stored in the smart lock. If the data matches, the smart lock will unlock automatically.

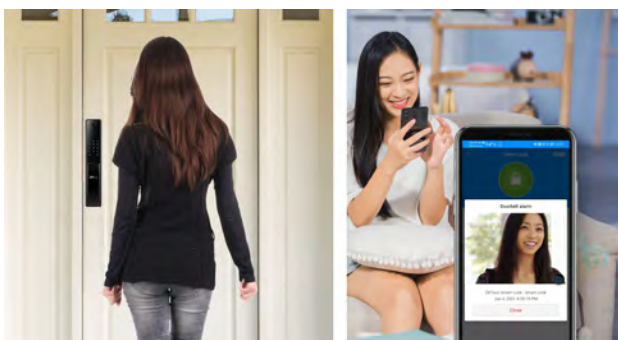
Scenarios



Automatic locking and unlocking after verification



Real-time monitoring from the indoor



When someone presses the doorbell outside, the owner could take a look at the person through the app



Remotely unlock using the app

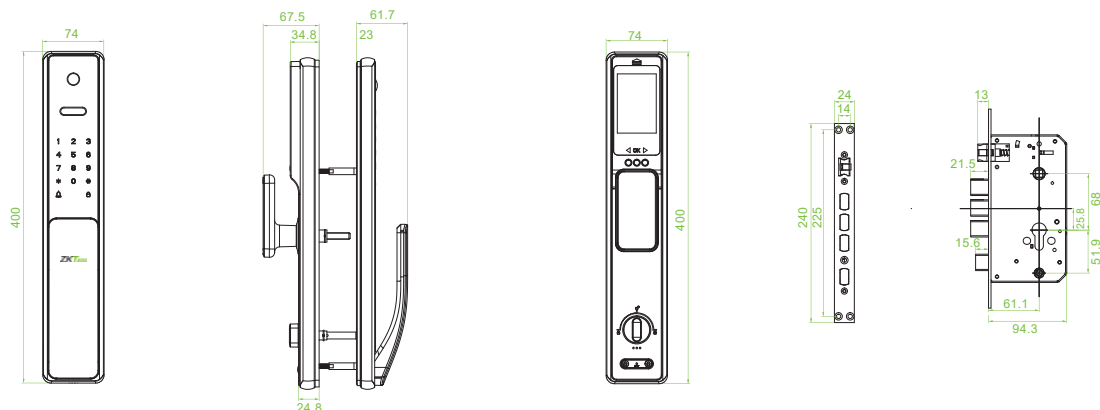
Features

- Auto opening and closing according to personalization settings
- An OLED screen for monitoring the outdoor situation inside the house
- Compatible with USmartGo; remote control and real-time monitoring online through Wi-Fi
- 3D structured light facial recognition, quick verification and quick unlock
- A hidden fingerprint semi-conductor installed behind the outdoor handle unit with ergonomics and anti-collision design
- No need to deploy an additional doorbell
- Class C cylinder protection; even the outdoor unit of the lock is damaged, your home is still safe

Specifications

Material	Aluminum Alloy and Tempered Glass
Capacity	IC S50 Card: 50 Face: 50 Fingerprint: 100 Password: 50 Administrator: 5
Power Supply	4,200mA; lithium battery
Emergency Interface	Micro USB 5V
Mortise Type	Chinese standard mortise (6068)
MCBF	>100,000
Communication	Wi-Fi
Static Current	<80uA
Working Temperature	-25°C to 75°C
Working Humidity	20% RH to 90% RH
Induction Distance	50cm to 100cm
Recognition Speed	1.25 seconds
Random Password	Supports
Doorbell	Supports
Retrieving Unlocking Records Online	Supports
Application	Duplexes, townhouses, apartments, condos, and other residential areas
Door Thickness (mm)	45 to 60 (customizable)
Dimensions (mm)	Outdoor unit: 400*74*23 Indoor unit: 400*74*24

Dimensions (mm)



ZKTeco Authorised Dealer



LockPro Technology Sdn. Bhd.
93C, Jalan BP 7/2, Bandar Bukit
Puchong, 47120 Puchong, Selangor.
013-319 6881 | 019-679 3168 | 019-390 8168